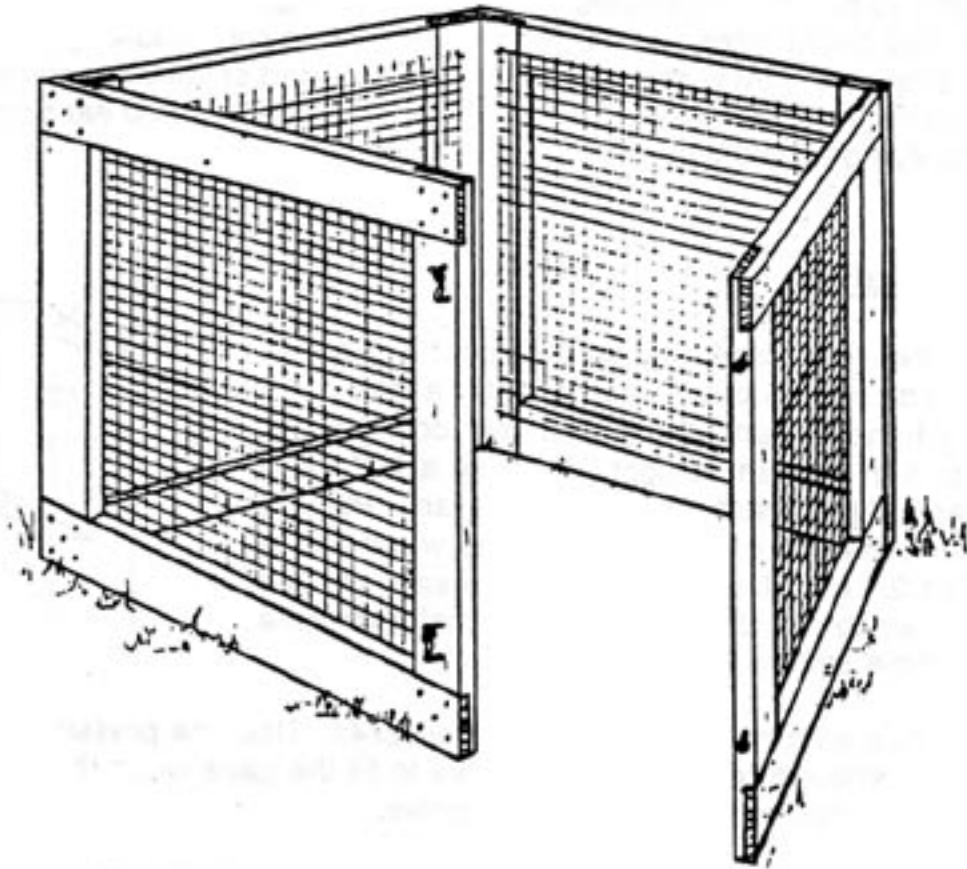


PORTABLE WOOD & WIRE COMPOSTING BIN



This portable bin provides a convenient way to compost moderate volumes of yard wastes with minimal labor. Yard wastes are simply added to the bin as they are generated. With no effort besides occasional moistening, compost will be ready in 6 months to 2 years. Chopping or shredding materials, maintaining adequate moisture by watering and covering with plastic or heavy fabric, and occasional turning will produce finished compost in a shorter period of time. Texture of the finished compost depends on the materials composted and how long they are left in the bin. Mixing fresh greens with brown yard wastes will produce the best results.

This bin is very flexible. It fits well in small spaces, and may be used either as a yard waste holding bin or as a portable turning unit. The bin can be easily moved to turn piles or to harvest finished compost and build a new pile: Simply undo the latches, pull the sides apart and move it. Compost may then be turned into the bin at its new location, and finished compost can be removed from the bottom. It costs around \$50 to build using new materials, less if recycled materials are used.

Materials:

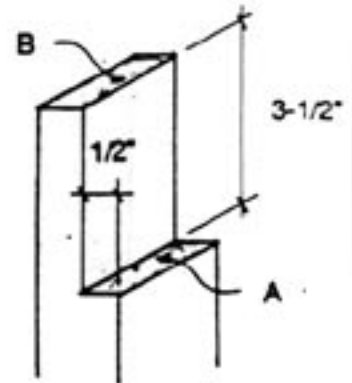
- 1 12 foot pressure treated 2x4
- 3 12 foot fir 2x4
- 12 feet of 36" wide 1/2" hardware cloth
- 100 1-1/2" galvanized No. 8 wood screws
- 4 3" galvanized butt door hinges
- 150 poultry wire staples or power stapler
- 1 10 oz. tube exterior wood adhesive
- 6 large hook and eye gate latches

Tools

Hand saw and chisel, or radial arm saw with dado blade, or circular saw, or table saw. Hammer, screwdriver, tin snip, caulking gun, pencil and small carpenter's square. *Use eye and ear protection.*

Construction Details:

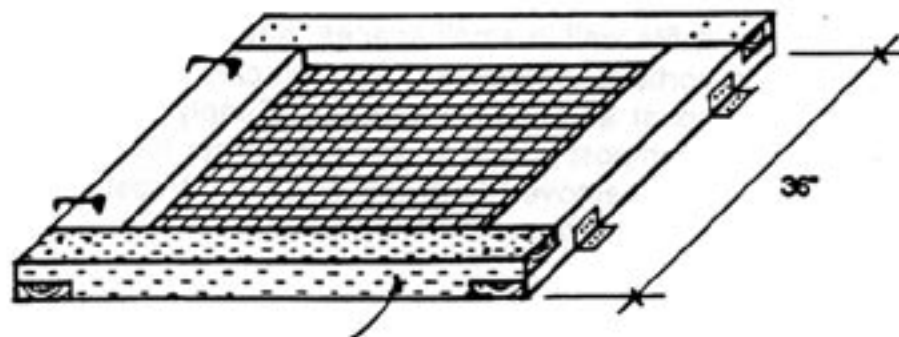
Cut each 12 foot 2x4 into four 3 foot long pieces. Cut a 3/4" deep and 3-1/2" wide section out of each end, for a total of 32 lap cuts. If using handsaw and chisel, cut 3/4" down at the 3-1/2 inch line, at A in diagram to right. Then cut a 1/2" deep groove into the end of the board, at B in the diagram. Place a thick wood chisel in the end groove and split the wood with a hammer to the 3-1/2" cut. If using a radial arm saw, circular saw or table saw, set blade depth to 3/4" and make multiple passes until the whole section is removed.



Make four 3 foot square frames from the lap jointed 2x4s. Use one pressure treated 2x4 on each frame. Put enough construction adhesive to fill the gaps when the lap joints are screwed together. Fasten each joint with four screws.

Cut the hardware cloth with tin snips into four 3 foot square sections. Bend the edges of the cloth back over 1" for strength. Lay one onto each of the four frames. Center and tack each corner with a poultry wire staple. Hammer place a staple every 4" along all four edges of the hardware cloth. Try to tension the cloth so it will not sag when filled with compost.

Connect each pair of frames together with two hinges. Then put the hook and eye gate latches on the other ends so that the sections latch together.



**PRESSURE TREATED
LUMBER ON BOTTOM**