

COMPOST SCREEN

A compost screen is a handy device for separating out the finely textured finished compost for immediate use from the remaining coarser, incompletely composted materials such as twigs, large lumps and nutshells. The latter can then be returned to the compost pile for further breakdown.

A compost screen can be constructed and sized to suit individual requirements and preferences. This design measures 20 inches by 18 inches and is adapted from one prepared by the Recycling Council of Ontario. A number of mesh sizes can be used depending on the end uses for the compost passing the screen. Finer, 1/4 inch mesh is suitable for finished compost to be used as lawn top dressing or in a seed starter mix.

LIST OF MATERIALS

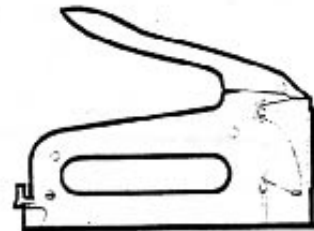
- 1 6' 2x4
- 1 6' 1x2
- 1 2' x 2' piece of 1/4" galvanized wire mesh
- 1 carpenter's glue
- 8 3" common nails
- 16 1-1/2" common nails

TOOLS NEEDED

Tin snips



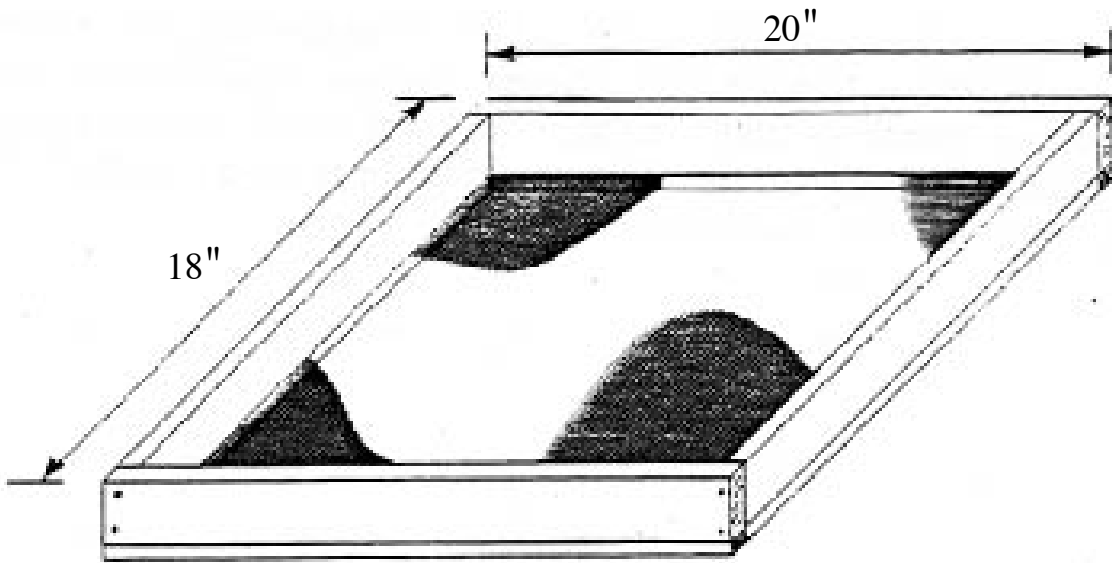
Staple Gun or Power Stapler



CONSTRUCTION SEQUENCE

1. Cut both the 6' 2x4 and the 6' 1x2 into four pieces; two pieces at 20" and the other two pieces at 15". With the 2x4 pieces on edge, form them into a rectangular butt joint frame and connect the frame together using carpenter's glue and two 3" nails at each joint. If required, the joints can be made more secure with screws and corner braces.
2. Cut the galvanized mesh to fit the frame and staple the two together. Use a staple every 4" around the edge. Tension the mesh so that it will not sag when filled with compost.
3. Once the mesh is secure on the bottom of the frame, nail the 1x2 strapping pieces over the top of it.

TOP VIEW



SIDE VIEW

